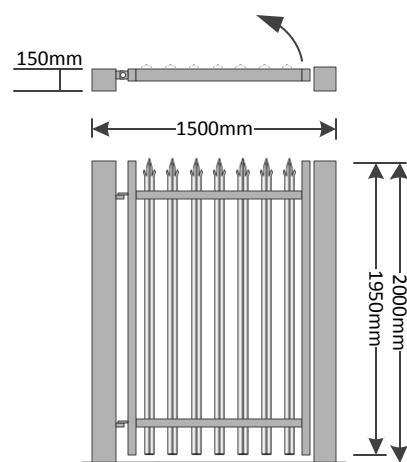


Palisade Fence

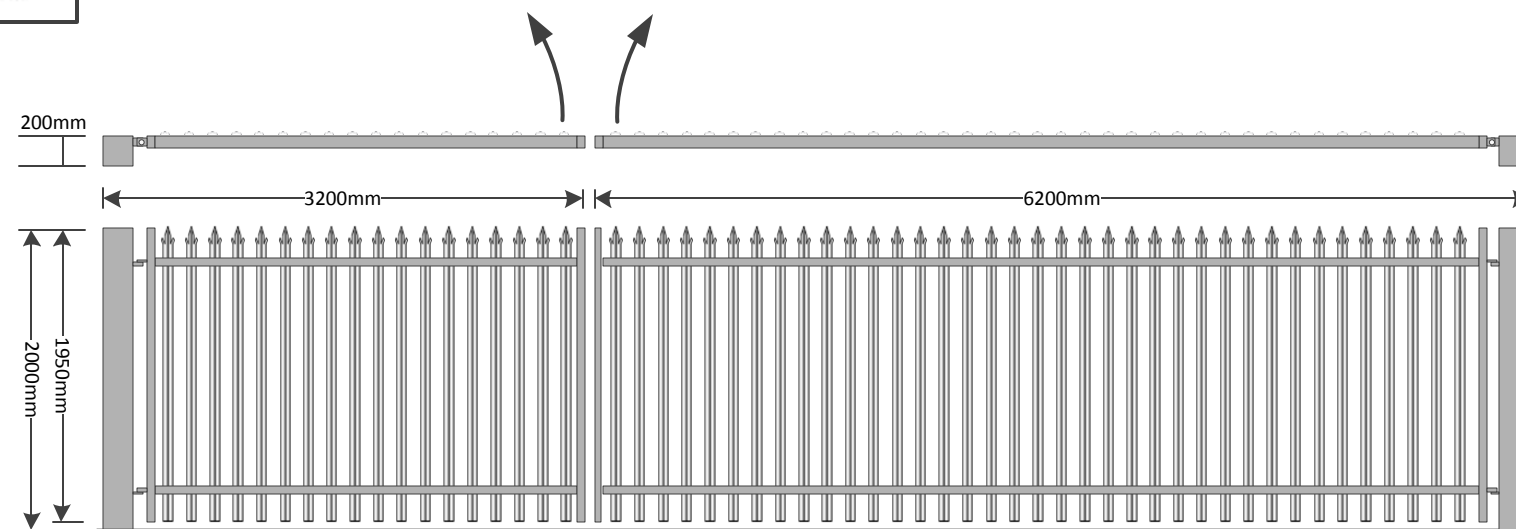
- 134.40Lin M. of 2.00m high above ground level galvanised steel pale fencing comprising 2.59m long x 102 x 44 (98 x 55) RSJ (IPE) posts spaced at 2.75m centres set into 300 x 300mm concrete foundation, with 45 x 45 x 6mm angle top & bottom rail, fitted to posts with loose fishplates using M12 bolts & cone-nuts. Bottom rail with 1 no. flat support per 2.75m bay.

- Pales 1.95m long, 3mm 'D' section splayed & triple pointed top pales fitted to rails (17 pales per standard 2.75m bay).



Pedestrian Gate

- 1No. single leaf galvanised pale gate 2.00m high when erected by 1.20m wide. Gate manufactured with RHS frame, clad with 'D' section pales to match fencing, complete with sliding latch holed to take padlock. The gate complete with 1 no. pair RHS gateposts, set into concrete foundation.



Vehicle Gate

- 1No. pair of double leaf (un-equal) galvanised pale gates 2.00m high when erected by 9.00m wide (3.00m plus 6.00m). Gate manufactured with RHS frame, clad with 'D' section pales to match fencing, complete with sliding latch holed to take padlock and drop-bolt to each leaf. The gate complete with 1 no. pair RHS gateposts, set into concrete foundation to ground level.

NOTES

- Proposed Fence Line
- Double Leaf Un-equal Gates
- Single Leaf Gate

FOR INFORMATION

Securitas
Rolland House
Newbridge Industrial Estate
Clifton Hall Road
Edinburgh
EH28 8PW



TEL: 01313 359110
Email: info@securitas.uk.com
WEB: www.securitas.com

CLIENT :

Siemens
Hebburn

PROJECT :

Technology Solution

SCALE :

1:50 (Unless Stated)

DATE :

Jan 2015

TITLE :

Proposed New Fence Line and
Gates for Front Entrance Area

CAD DWG NUMBER :

N/A

PROJECT NUMBER :

Project-000039

DRAWN BY :

Drawing Reference.:

Revision:

SB

Project-000039-01

02

Copyright © 2015 Securitas - All Rights Reserved
No part of this document may be reproduced, transmitted,
transcribed, stored in a retrieval system, or translated into
any language in any form by any means without the prior
written consent of Securitas.